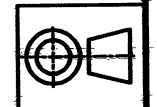
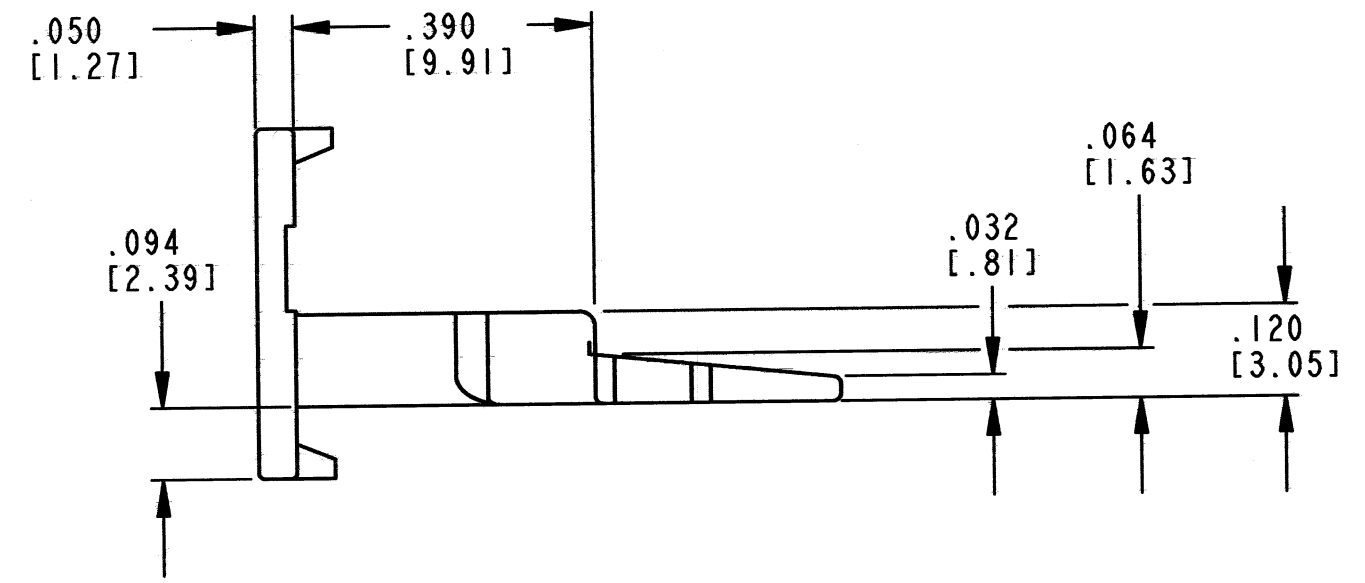
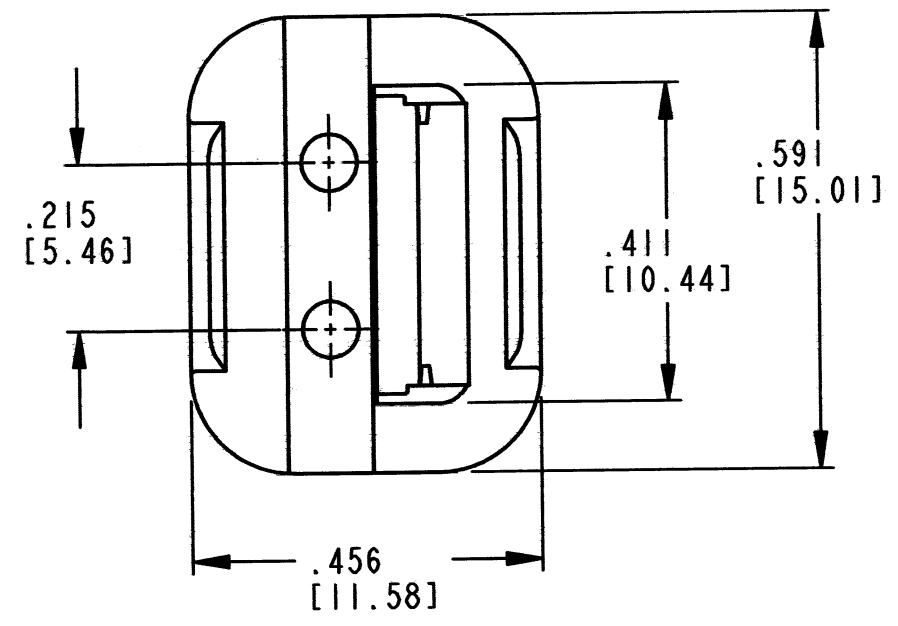
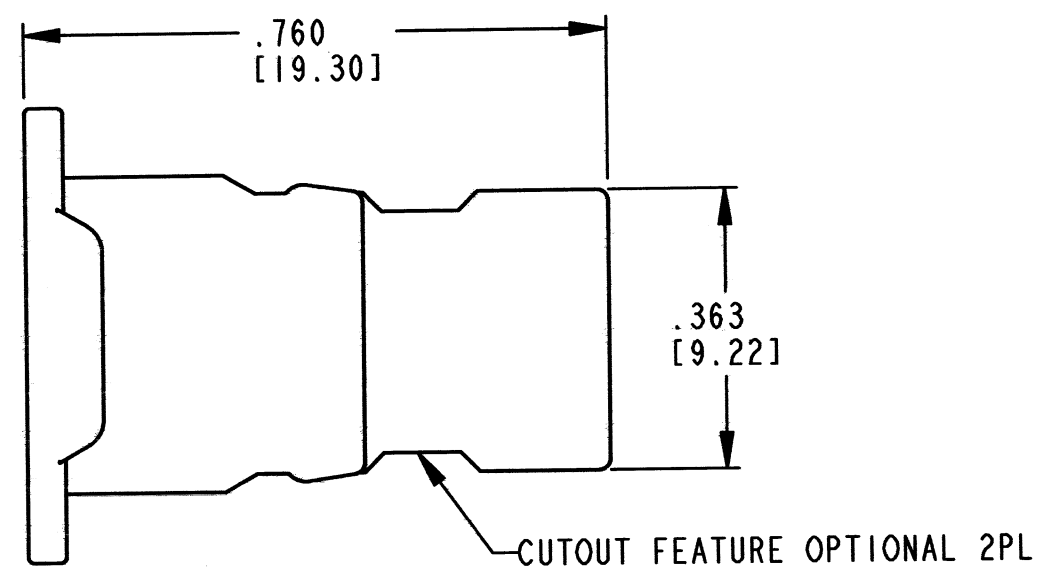
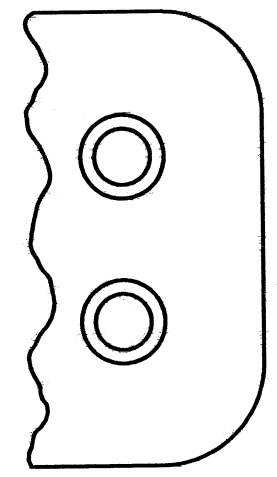


REV  
F W2S-P012

REVISIONS			
SYM	DESCRIPTION	DATE	APPROVED
C	REVISED PER E.O. P18246	8/22/03	R.D.R.
D	REVISED PER E.O. P19116	12/1/05	R.D.R.
E	REVISED PER E.O. P19410	12/11/06	R.D.R.
F	REVISED PER E.O. P21443	9-4-12	RDR



- 5. MATERIAL: PLASTIC; COLOR: GREEN
- 4. WEDGE TO BE USED WITH DT06-2S-P012 PLUG ONLY.
- 3. CONSULT FACTORY FOR APPLICATION.
- 2. ALL DIMENSIONS ARE ±.025 [.64] UNLESS OTHERWISE SPECIFIED.

NOTES: 1. ALL DIMENSIONS ARE IN INCHES [MILLIMETERS].

SIGNATURE & DATE	
DR	J. WOODY 8/12/98
CHK	A. M. De... 8/22/12
PE	P. ... 8/22/12
APPD	R. ... 9-4-12
SCALE	NONE WT

WEDGE LOCK  
FOR  
2 CONT. PLUG  
COLOR: GREEN  
DT SERIES  
  
ENVELOPE

EP	MATL. CODE
3850 INDUSTRIAL AVE. HEMET, CA 92545	
<b>B</b>	<b>W2S-P012</b>
DWG SIZE	CODE 11139 SHEET   OF